

# Temperature

## Sheathed sensors



- These reasonably priced sensors are for universal use (-200 to +1100 °C) and suitable for immersion measurements in liquids, air, and gases. The sheathed line, depending on diameter, can be bent - within certain limits.
- Different connection variants :  
With cable and ALMEMO® connector Order no. FxAxx, with cable and free ends, Order no. Fx0xx.  
Connector options :  
With THERM circular connector : Option T9020RS,  
with miniature Thermo flat connector : Option OT9020FS.

### Thermocouple sheathed sensors FTAxX and FTANxx

Measuring element:	FTAxX; NiCr-Ni thermocouple, type K, DIN class 1 (see 07.03) FTANxx; NiCrSi-NiSi thermocouple, type N, DIN class 1 (see 07.03)
Sensor tip, sheathed line :	diameter, length, operating temperature; see table; material Inconel 2.4816 Here the sensor tip and sheathed line are of the same diameter. These types are therefore also suitable for mounting with clamped screw connections.
Cable sleeve :	Brass, hexagonal, L = 65 mm, circumdiameter = 9 mm, operating temp. -40 to +160 °C
Standard cable :	New 1.5 meter FEP / silicone thermal line (stranded wire)* Operating temp. -50 to +200°C There is no adverse temperature effect at the juncture from measuring element to cable.
Cable options :	Compensation line, PVC / PVC, insulated, operating temperature -20 to +105 °C The compensation line is also available, on request, with FEP / FEP, insulated.
ALMEMO® connector	FTAxX NiCr-Ni ZA9020FS with resolution 0.1 K FTANxx NiCrSi-NiSi ZA9021FSN with resolution 0.1 K

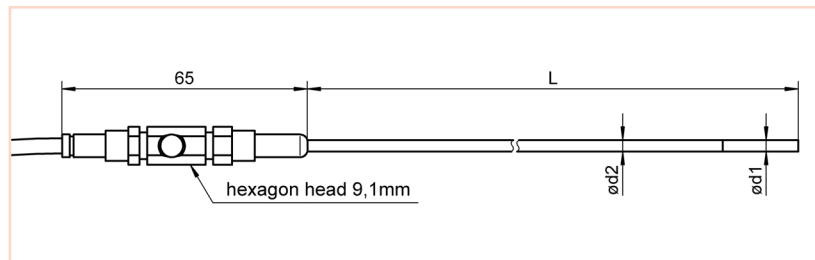
### Pt100 sheathed sensors FPAxx

Measuring element :	Pt100 4L, DIN class B (see 07.03)
Options :	DIN class A, 1/5 DIN class B (see 07.03)
Sensor tip :	diameter, length, operating temperature; see table; material stainless steel
Sheathed line :	diameter, length; see table; material stainless steel On certain types the sensor tip and sheathed line are of different diameter; (i.e. the sensor tip is thicker). These types are therefore not suitable for mounting with clamped screw connections. Types suitable for clamped screw connections are available on request.
Cable sleeve :	Brass, hexagonal, L = 65 mm, circumdiameter = 9 mm, operating temp. -40 to +160 °C
Standard cable :	1.5 meters line, FEP / silicone, insulated, operating temperature -50 to +200 °C
Cable options :	Line, PVC / PVC, insulated, operating temperature -20 to +105 °C The line is also available, on request, with FEP / FEP, insulated.
ALMEMO® connector	Pt100, ZA9030FS1, with resolution 0.1 K Option : Pt100 ZA9030FS2 with resolution 0.01 K (standard with 1/5 DIN class B)

### NTC sheathed sensors FNAxx

Measuring element :	NTC type N (see 07.04)
Sensor tip :	diameter, length, operating temperature; see table; material stainless steel
Sheathed line :	diameter, length; see table; material stainless steel On certain types the sensor tip and sheathed line are of different diameter; (i.e. the sensor tip is thicker). These types are therefore not suitable for mounting with clamped screw connections. Types suitable for clamped screw connections are available on request.
Cable sleeve :	Brass, hexagonal, L = 65 mm, circumdiameter = 9 mm, operating temp. -40 to +160 °C
Standard cable :	1.5 meters line, PVC / PVC, insulated, operating temperature -20 to +105 °C
Cable options :	Line, FEP / silicone, insulated, operating temperature -50 to +200 °C The line is also available, on request, with FEP / FEP, insulated.
ALMEMO® connector	NTC, ZA9040FS, with resolution 0.01 K.

## Sheathed sensors



Sensor with :  
 Sensor tip, dimensions d1,  
 sheathed line, dimensions d2,  
 overall length (including sensor tip) L,  
 Cable sleeve, dimensions length = 65 mm,  
 circumference = 9 mm, Cable

### Thermocouple sheathed sensors NiCr-Ni, type K

Typical Application: universal, in range -40 ° C to 900 ° C

Diameter d1=d2	Operating temperature Sensor tip	Length L	Order no
0.5 mm	-200...900°C	50 mm	FTA05L0050
0.5 mm	-200...900°C	100 mm	FTA05L0100
0.5 mm	-200...900°C	250 mm	FTA05L0250
0.5 mm	-200...900°C	500 mm	FTA05L0500
0.5 mm	-200...900°C	1000 mm	FTA05L1000
1.5 mm	-200...1100°C	100 mm	FTA15L0100
1.5 mm	-200...1100°C	250 mm	FTA15L0250
1.5 mm	-200...1100°C	500 mm	FTA15L0500
1.5 mm	-200...1100°C	1000 mm	FTA15L1000
3.0 mm	-200...1100°C	100 mm	FTA30L0100
3.0 mm	-200...1100°C	250 mm	FTA30L0250
3.0 mm	-200...1100°C	500 mm	FTA30L0500
3.0 mm	-200...1100°C	1000 mm	FTA30L1000

Connection cable	Operative range	Length	Order no
FEP/silicone Thermal line (stranded wire)	-50...200°C	1.5 m	default
		5 m	OTK01L0050
PVC/PVC Compensation line	-20...105°C	1.5 m	OTK02L0015
		5 m	OTK02L0050

### Thermocouple sheathed sensors NiCrSi-NiSi, type N

Typical application: in the range -200 ° C to 1150 ° C, long-term stability at high temperatures

Diameter d1=d2	Operating temperature Sensor tip	Length L	Order no
1.5 mm	-200...1150°C	500 mm	FTAN15L0500
1.5 mm	-200...1150°C	750 mm	FTAN15L0750
1.5 mm	-200...1150°C	1000 mm	FTAN15L1000
3.0 mm	-200...1150°C	500 mm	FTAN30L0500
3.0 mm	-200...1150°C	750 mm	FTAN30L0750
3.0 mm	-200...1150°C	1000 mm	FTAN30L1000
6.0 mm	-200...1150°C	500 mm	FTAN60L0500
6.0 mm	-200...1150°C	750 mm	FTAN60L0750
6.0 mm	-200...1150°C	1000 mm	FTAN60L1000

Connection cable	Operative range	Length	Order no
FEP/silicone Thermal line (stranded wire)	-50...200°C	1.5 m	default
		5 m	OTNK01L0050

DAkKS or factory calibration KT90xx temperature for sensor or measuring chain (sensor + device) (see chapter Calibration certificates)  
 DAkKS calibration meets all the requirements regarding test resources laid down in DIN EN ISO/IEC 17025.

# Temperature

## Resistor-based sensors Pt100 4L

Typical Application: universal, in range -40°C to 500°C

Diameter d1 Sensor tip	Diameter d2, Sheathed line	Operating temp. Sensor tip	Length L	Order no.
1.5 mm	1.5 mm**	-40...500°C	100 mm	FPA15L0100
1.5 mm	1.5 mm**	-40...500°C	250 mm	FPA15L0250
1.5 mm	1.5 mm**	-40...500°C	500 mm	FPA15L0500
2.2 mm*	2.0 mm	-40...500°C	100 mm	FPA22L0100
2.2 mm*	2.0 mm	-40...500°C	250 mm	FPA22L0250
2.2 mm*	2.0 mm	-40...500°C	500 mm	FPA22L0500
3.2 mm*	2.8 mm	-40...500°C	100 mm	FPA32L0100
3.2 mm*	2.8 mm	-40...500°C	250 mm	FPA32L0250
3.2 mm*	2.8 mm	-40...500°C	500 mm	FPA32L0500

\* This sensor type (reinforced tip) is not suitable for clamped screw connections.

Suitable types FPA20Lx or FPA30Lx with same end-to-end diameter are available on request.

\*\* Too strong bending of / kinking of the sheathed line should be avoided.

Options	Order no.
<b>PT100 measuring resistor</b>	
Accuracy	
Class B	default
Class A	OPG2
Class 1/5 DIN Class B	OPG5
<b>Ceramic measuring resistor</b>	
operating range -200 ... 600 ° C	OPM1

Connection cable	Operative range	Length	Order no.
FEP/silicone	-50...200°C	1.5 m 5 m	default OPK01L0050
PVC/PVC	-20...105°C	1.5 m 5 m	OPK02L0015 OPK02L0050

## Resistor-based sensors NTC

Typical Application: universal, in range 0°C to typ. 70°C

Diameter d1 Sensor tip	Diameter d2, Sheathed line	Operating temp. Sensor tip	Length L	Order no.
2.0 mm	2.0 mm	-20...100°C	100 mm	FNA20L0100
2.0 mm	2.0 mm	-20...100°C	250 mm	FNA20L0250
2.0 mm	2.0 mm	-20...100°C	500 mm	FNA20L0500
3.2 mm*	2.8 mm	-20...100°C	100 mm	FNA32L0100
3.2 mm*	2.8 mm	-20...100°C	250 mm	FNA32L0250
3.2 mm*	2.8 mm	-20...100°C	500 mm	FNA32L0500

\* This sensor type (reinforced tip) is not suitable for clamped screw connections.

Suitable types with same end-to-end diameter are available on request.

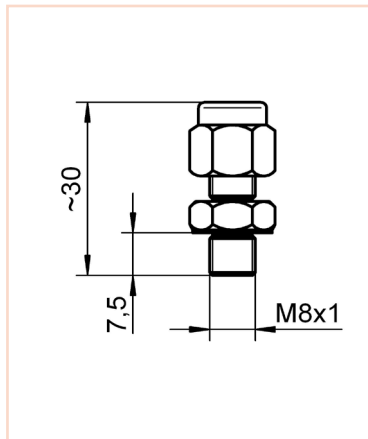
Connection cable	Operative range	Length	Order no.
PVC/PVC	-20...105°C	1.5 m 5 m	default OPK02L0050

## Handle for sensors with hexagonal cable sleeve



Option Handle including fitting      **Order no. OFH1**

## Clamp screw connection ZT943xKV



**Operative range**  
For sheath elements

**Option:**  
Notched steel ring  
(once fitted, cannot be removed),  
 $T_{\max} = 800 \text{ °C}$   
For ZT9431KV  
Order no. OT9431ST  
For ZT9432KV  
Order no. OT9432ST

Variants (with PTFE clamping ring)	Order no.
for types FTA15Lxxxx, FPA16Lxxxx	<b>ZT9431KV</b>
for types FTA30Lxxxx, FPA30Lxxxx and FNA30Lxxxx	<b>ZT9432KV</b>

### Technical data

Operating temperature	up to maximum 250 °C with option up to 800 °C
Thread	M8x1, 14 AF

## Heat-conducting paste ZB9000WP

For surface measurement, operative range -30 to +200 °C, heat-conducting paste, tube, 12 ml      **Order no. ZB9000WP**

# Temperature

## NiCr-Ni-sensor FTA 15 P



For immersion measurement

Meas. element: NiCr-Ni Class 1 \*  
Measuring tip: Operative range -200...+1100 °C  
200x1.5 mm, sheathed line, Inconel  
 $T_{90}$ : \* 1.5 s  
Cable: approx. 1.4 m FEP/silicone  
with spray-coated ALMEMO® connector

L = 200 mm  
Sensor with handle  
(No variants available)

**Order no. FTA15P**  
**Order no. FTA15PH**

## Pt100-sensor FPA 32 P



For immersion measurement

Meas. element: Pt100, Class B \*  
Measuring tip: Operative range -40...+500 °C  
200 x 2.8/3.2 mm, sheathed line  
 $T_{90}$ : \* 10 s  
Cable: approx. 1.4 m PVC  
with spray-coated ALMEMO® connector

L = 200 mm  
Sensor with handle  
(No variants available)

**Order no. FPA32P**  
**Order no. FPA32PH**

## NTC-sensor FNA 305



For Indoor air measurements

Meas. element NTC\*  
Measuring tip Operative range -10 to +60 °C  
(non-condensing)  
Protective tube in stainless steel  
Diameter = 3.0mm, length = 50 mm  
mounted directly on ALMEMO® connector  
 $T_{90}$  8 s

L = 50 mm **Order no. FNA305**  
(No variants available)

\* For general technical data, see page 07.03